

# JL Lifting Series



G Hunger 360...1



Escargot.....2



Pull in Bracket.....2



JL Eyeby.....3



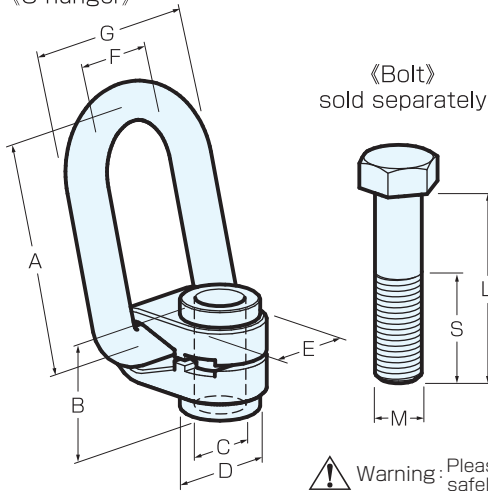
Hookun.....4

# G Hunger 360

## Product features

- Lifting system that can rotate 360degree.

《G hunger》



⚠ Warning: Please read user manual carefully and be sure to use safely. Please do inspection of the hunger regularly.

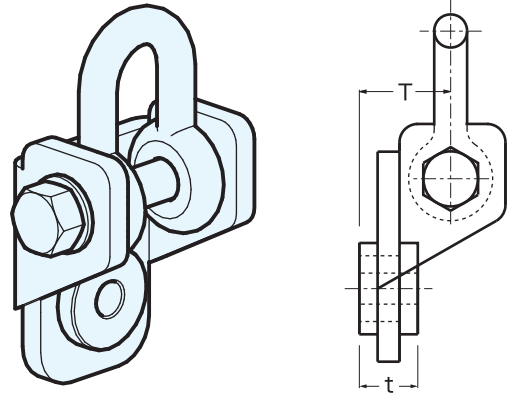
(Unit: mm)

Part code	Maximum load(Kgf)	Dimention							Bolt(10.9)		
		A	B	C	D	E	F	G	nominal diameter	Total length	S
GH-0.7	700	105	40	13	30	32	36	63	M12	65	30
GH-1	1,000	105	40	17	30	32	36	63	M16	70	38
GH-2	2,000	78	52	21	40	46	52	85	M20	85	46
GH-3	2,000	78	52	25	40	46	52	85	M22	90	50
GH-3	2,000	78	52	25	40	46	52	85	M24	95	54

# Huntender (production on order)

## Product features

- Hanging direction is free and the product has designed to be able to use repeatedly.

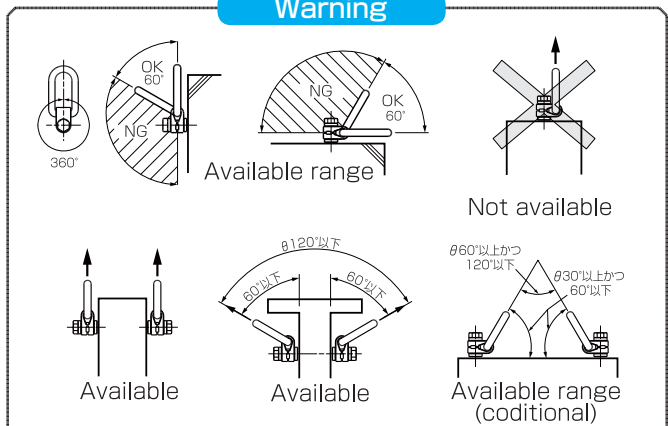


(Unit: mm)

Part code	Spec.	T	t	Nominal diameter of screw/Rated load(kgf)							
				M12	M16	M20	M22	M24	M27	M30	M33
Small	50	32	○	○	○	○	○				
			500	1,000	1,250	1,500	1,500				
Large	80	36					○	○	○	○	
							2,000	2,500	3,000	3,500	

· Please use high-strength bolt for attachment.  
· Please specify the size of screw upon order. Ex. Huntender (small)M12

## Warning



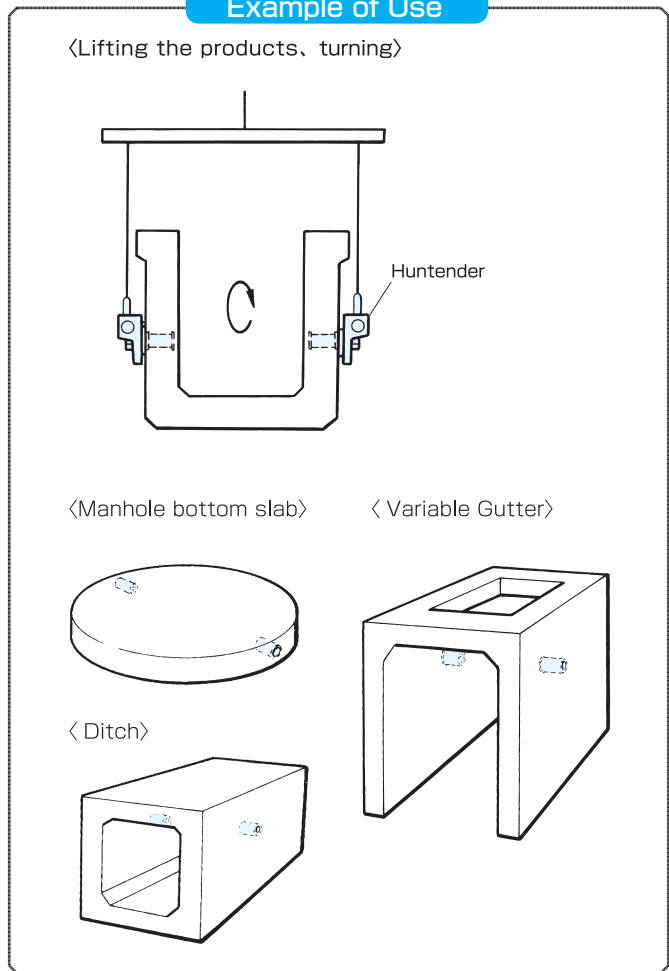
Warning:  
Since the G Hunger is consumable goods, please be careful to the below and replace the goods frequently.

1. Please make sure follow available range. (Please see above)
2. Please make sure follow maximum loads. (Please see above)
3. Please make sure that the hanging ring placed vertical to its origin.
4. Please make sure the bolt strength is F10T, minimum of 8.8.
5. For M12(GH-0.7), please make sure to use round washer.

Inspection of G Hunger  
Please inspect G Hunger before use. If you find any issue during the inspection, please stop using and replace with new one.

- Check items
1. Please check if any shape defect, bending error, crack, scratch, rust or not. It is not possible to repair the G Hunger itself.
  2. Please check if the bolt has bending error, shape defect, crack etc., or not.

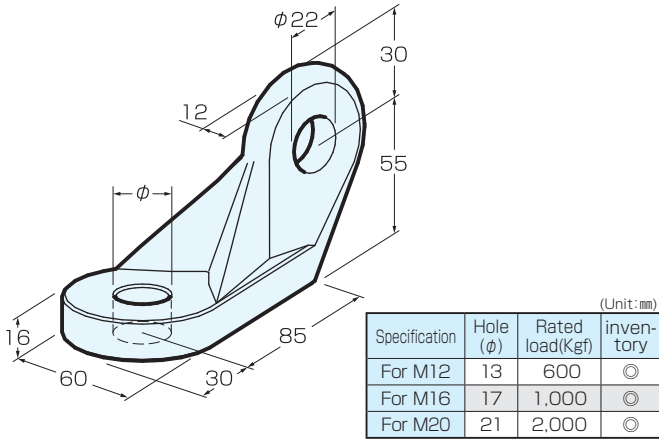
## Example of Use



# Escargot<sup>PAT.</sup>

## Product features

- This is the jig that specially designed for horizontal hanging.
- Rated load is below 4tons (a set of two)
- It is low cost and has high safety.

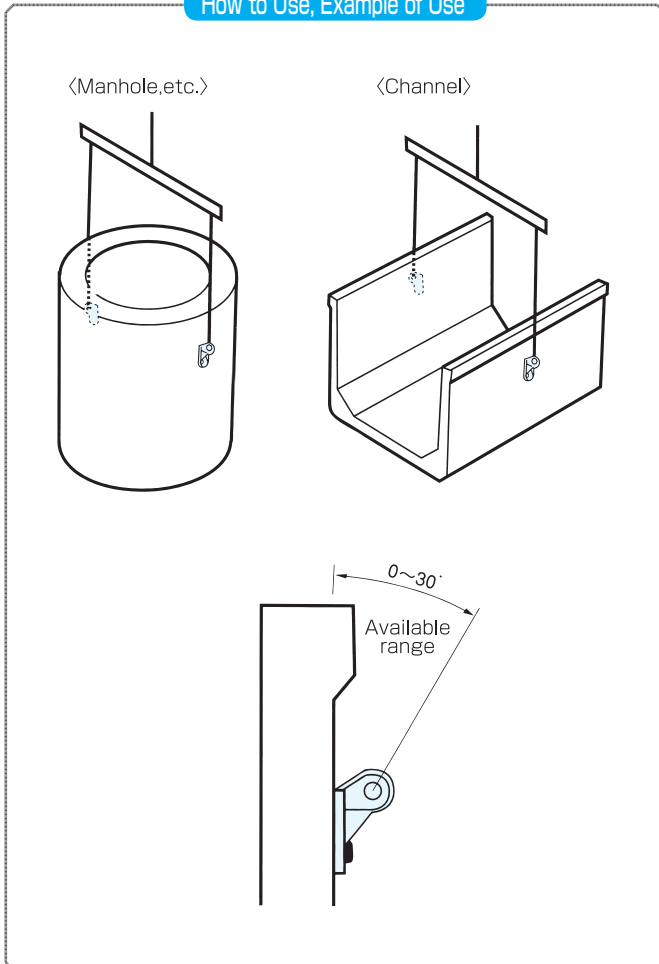


Specification	Hole (φ)	Rated load(Kg)	inventory
For M12	13	600	○
For M16	17	1,000	◎
For M20	21	2,000	◎

(Unit:mm)  
 · Finish: Uniql  
 · Rated load is based on the assumption of using high-strength bolt.  
 ◎ For standard inventory.

**Warning:** Please read user manual carefully and be sure to use safely. Please do inspection of the hunger regularly.

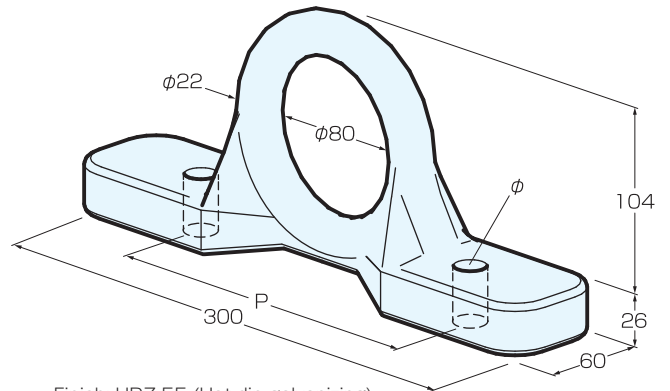
## How to Use, Example of Use



# Pull-in Bracket (production on order)

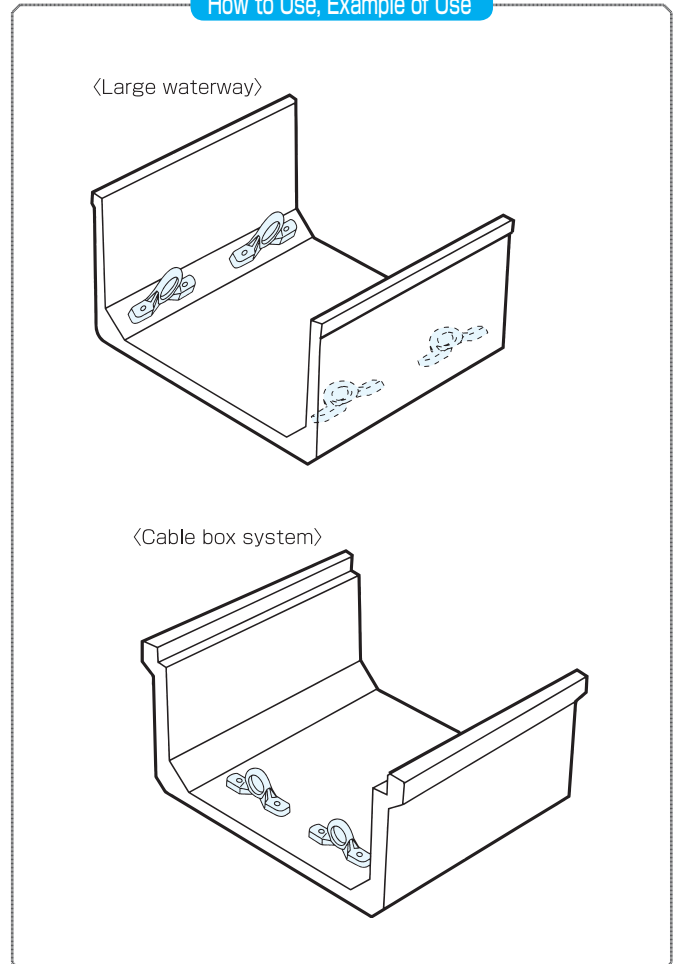
## Product features

- Pull-in Bracket for rated load of 10tons.
- Please fill inserts previously and fix with bolt.
- The hole for bolts is after process that it can be available to use all size up to M24.
- Application: Be able to use as lifting hardware. (Rated load is below 5tons per pc)



Finish: HDZ-55 (Hot dip galvanizing)  
 ※ Please check the inventory to your local distributor.

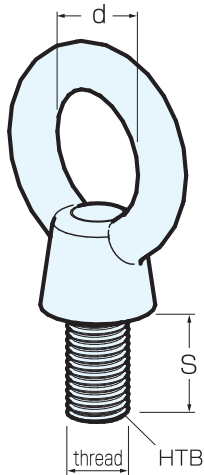
## How to Use, Example of Use



# JL Eyeby

## Product features

- Lifting product that connect eyenut with high tensile bolt.
- Dificit part of thread part has been removed that enhance the strength.
- Be able to chose the length of S from below.
- It is not possible to lift from side.



(Unit: mm)

Thread	Diameter (φ)	Thread length(S)	Working load(Kgf)	Case pack
M10	25	20	-	200
M12	30	30,40,50	360	100
M16	35	30,40,50	630	100
M20	40	30,40,50	960	50
M22	45	40	1,250	30
M24	50	40,70	1,410	25

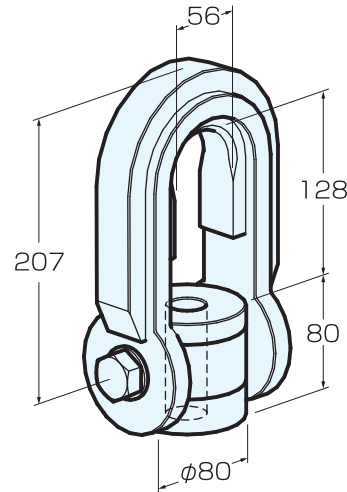
\* The working load is based on hanging vertical by using one Eyeby and two Albee with hanging at 45°.

# Upper

PAT.P (Production on Order)

## Product features

- It is intended to use for form removal and lifting of heavy product
- You can lift any angle not only vertical, that used by connect with general inserts. Security factor has been fully considered.

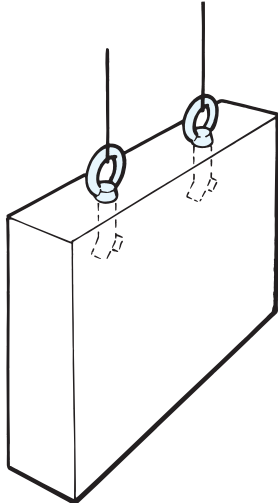


Size	Working load(Kgf)
M16	750
M20	1,250
M22	1,750
M24	2,250
M27	2,750

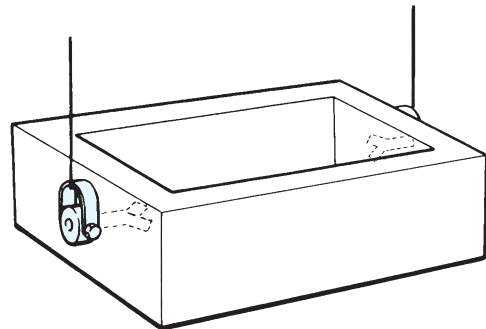
**Warning:** Please read user manual carefully and be sure to use safely. Please do inspection of the hunger regularly.

## How to Use

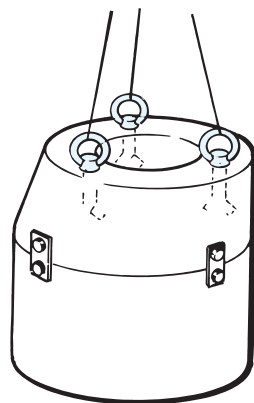
<Sheet pile etc.>



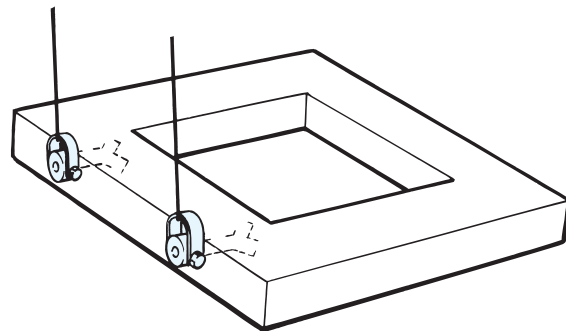
<Fire Protection Water tank, Box Culvert etc.>



<Manhole etc.>

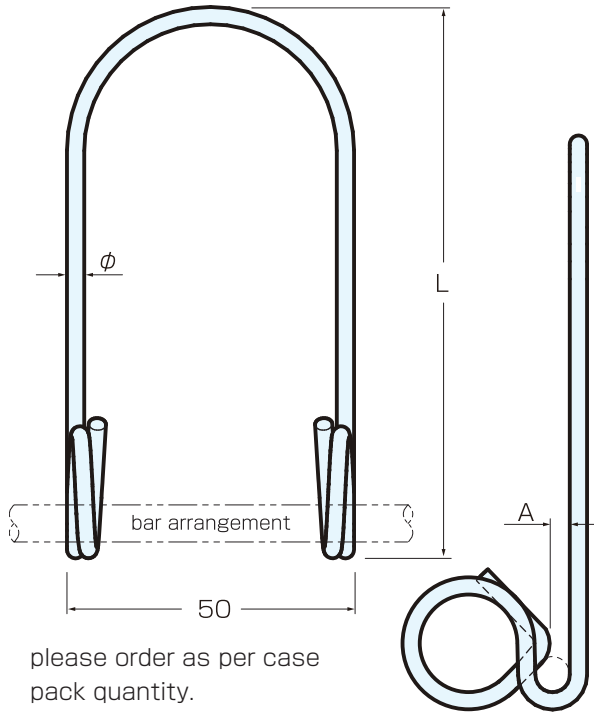


<PC slab etc.>



## Product features, application

- No need to weld, only hook with bar arrangement with one touch hook.
- Using high strength material with comparatively lower price.
- This is zinc plated steal wire.



(Unit:mm)

Product name	specification					case pack	inventory
	bar	L	A	φ	finish		
H-03	φ3.2	150	0.5	2.0	galvanize	1000	◎
H-04	φ4	100	0.5	2.6	galvanize	1000	◎
H-05	φ5	150	2.5			1000	◎
H-06	φ6	150	3.5			1000	◎
H-08	D6	150	4.5			1000	◎
H-10	D10	150	6.5	3.0	galvanize	1000	◎
H-13	D13	150	9.5			1000	◎
H-16	D16	150	11.5			1000	◎
H-100	D10	180	7.0	4.0	galvanize	500	◎
H-130	D13	180	9.0			500	◎
H-1300	D13	180	10.7	5.0	galvanize	300	◎

◎Standard inventory, ※Production per order

### Applicable weight (When demolding)

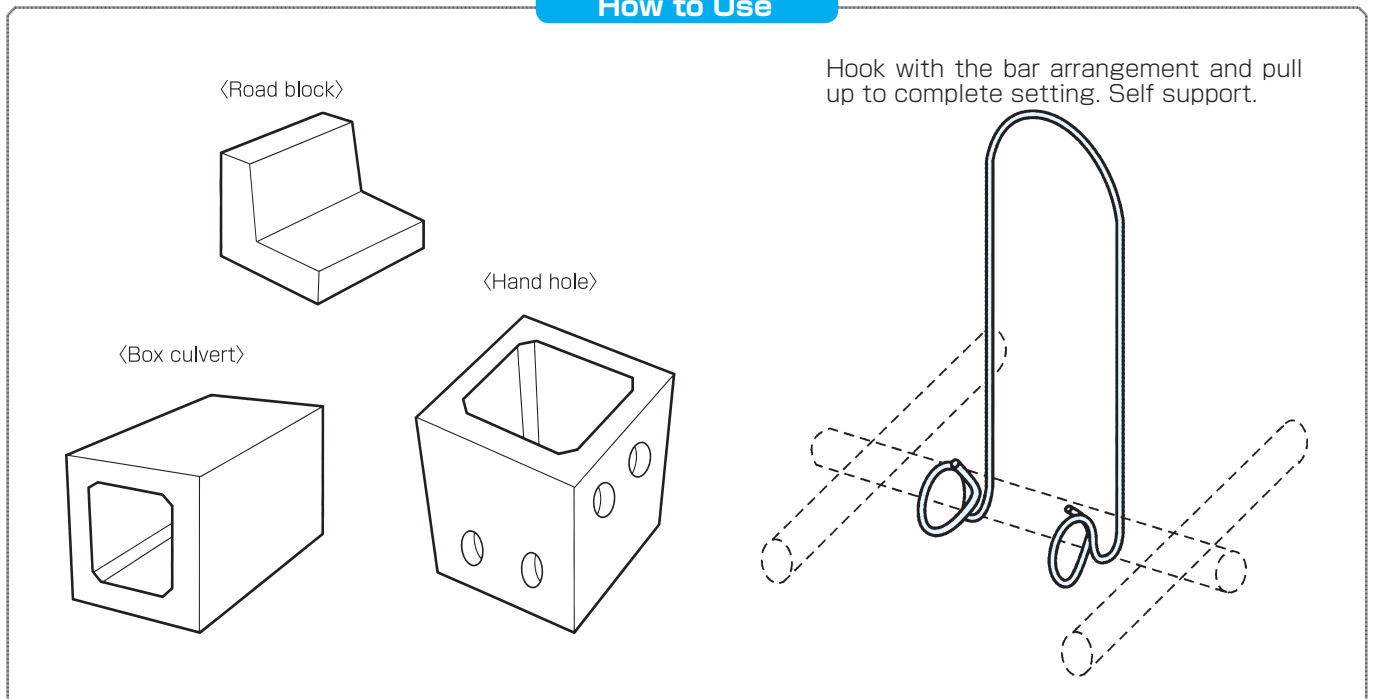
(Unit:tons)

Product name	H-03		H-06,H-08, H-10,H-13,H-16		H-100,H-130		H-1300	
	φ2.0	φ3.0	φ4.0	φ5.0	①	②	①	②
Case No	①	②	①	②	①	②	①	②
Hanging one point	0.15	-	0.35	-	0.45	-	0.55	-
Hanging two point	0.3	0.25	0.7	0.6	0.9	0.8	1.1	0.9
Hanging three point	0.6	0.5	1.4	1.2	1.8	1.6	2.2	1.8

Condition to Use : Concrete strength (demolding) : Over 15N/mm<sup>2</sup>  
 Depth of embedded hookun : 60mm  
 Hanging angle : Case ① Hanging vertical  
 Case ② Hanging aperture(within 60°)

**Warning:** Please read user manual carefully and be sure to use safely. Please do inspection of the hunger regularly.

## How to Use





**Japan Life Co., Ltd.**  
**ジャパンライフ株式会社**  
<http://www.japanlife.co.jp>